

(带爪) 液控磁吸盘 使用说明书

(WITH CLAW) HYDRAULIC CONTROL MAGNETIC CHUCK Operation Instruction



目录 CATALOGUE

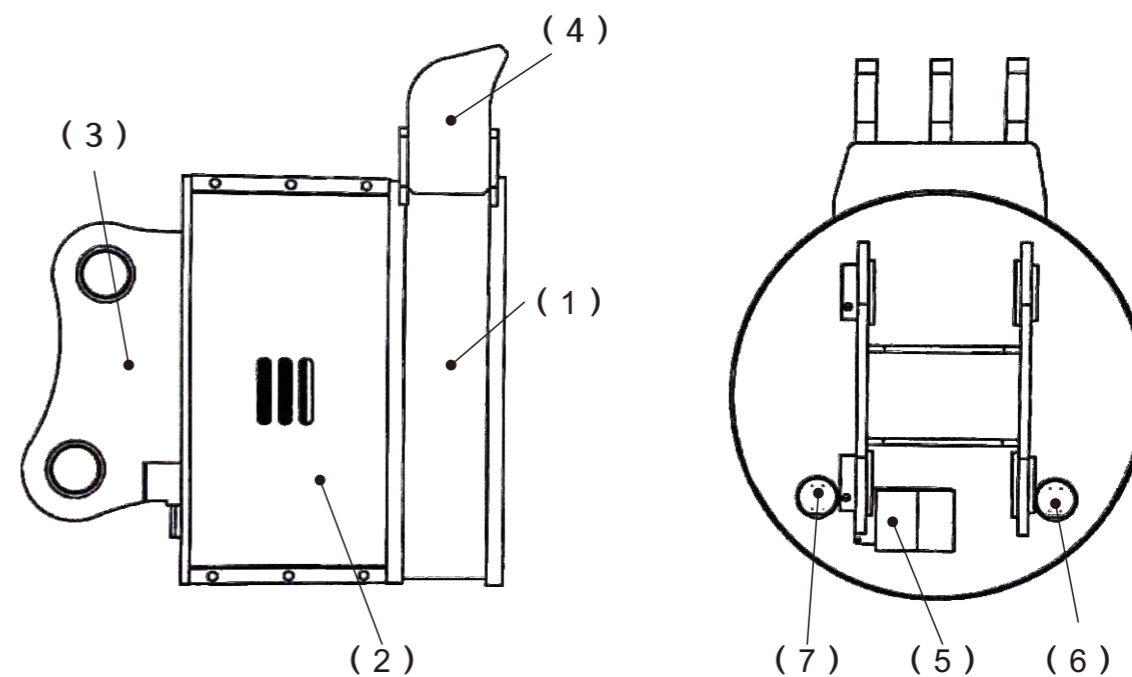
- 1.规格及适用设备/Specifications and Applicable Equipment..... 2
- 2.操作守则/Code of Practice..... 3
- 3.操作警告/Operation warning..... 4
- 4.安装步骤/Installation steps..... 5
- 5.安装说明/Installation Notes..... 7
- 6.故障排除/Troubleshooting..... 8
- 7.检测及保养/Inspection and maintenance..... 8



规格及适用设备 / Specification & Suitable Equipment

性能参数/Performance Parameter		
型号Model	单位Unit	BY-YKCX1000
吸盘最大直径Maximum diameter of suction cup	mm	1015
重量Weight	T	1.55
磁吸力[重料整板]Magnetic attraction [heavy material whole board]	T	2-3
外形尺寸(长*宽*高)Dimensions (L*W*H)	mm	1360*1015*1000
适配挖机Suitable for excavator	T	20-30
使用油压Use oil pressure	V	280-320

我们的产品一直在升级中，由于技术原因的变更不做另行通知。
Our products are always being improved and are subject to change without notice due to technical reasons.



1	2	3	4	5	6	7
吸盘 Sucker	电器箱 Electrical box	连接头 Connector	前齿 Front teeth	油表 Fuel meter	油管接头1 Oil pipe joint 1	油管接头2 Oil pipe joint 2

操作守则 / Operation

1) 当油缸的抽杆到它的极限时，不能操作特殊设备。如果一个大力作用在全部延伸在外面的抽杆时，挖掘机的部件可能受到损害，弯曲，开裂。

1) Do not operate the BYM Attachments when the excavator cylinder rods are extended to their ends of stroke. If a large force is exerted to the fully extended cylinder, the excavator links and other parts may be damaged, bent or cracked.

2) 不要使用附属装置来做撬具，锤击或推移目标物。否则，装备会受到损害。

2) Do not use the attachment as a prying tool, hammering or pushing the target. Otherwise, the equipment will be damaged.

3) 当挖机行走的时候不要让特殊装备接触地面，否则过大的力应用在臂和销轴上会引起损害问题。

3) Do not press the BYM attachments against the ground when the excavator turns around. Otherwise, excessive force is applied to the arm and pins, causing damage and problems.

4) 请将挖掘机放在一个平坦的区域以便能平稳的站在那里。如果挖掘机倾斜，挖掘机的臂经受很大的力，这个臂可能会损害或开裂。

4) Please place the excavator on a flat area so that it can stand there stably. If the excavator is tilted, the arm of the excavator is subjected to a lot of force, and this arm may be damaged or cracked.

5) 不要使用属具来挖平地，否则挖掘机经受额外的大力可能会损害。

5) Do not use attachments to level the ground, otherwise the excavator may be damaged due to the extra force.

7) 当我们的装置吸住目标物的时候不要摆动或悬转。对于一些挖掘机臂的末端可能打开并释放目标物。这是很危险的。

7) Do not swing or hang while our device is holding the target. With some excavators the end of the arm may open and release the target. This is very dangerous.

8) 当挖掘机移动附属装置时，确保打开臂的末端。这样保护活塞杆免受伤害。

8) When the excavator travels with the BYM Attachments, be sure to open the ends of the arms. This protects the piston rod against damage.

9) 当离开挖掘机时把附属装置放在地上并停止引擎。

9) When leaving the excavator, put the BYM Attachments on the ground and stop the engine.

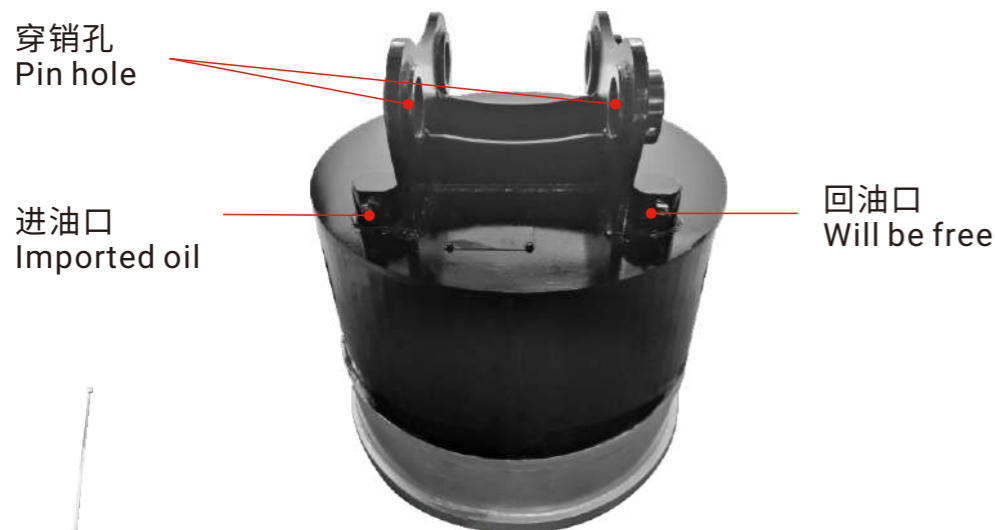
操作警告 / Caution

- 关闭驾驶室前面的网屏或碎片保护器来防止碎石伤害到司机。
- 如果噪音超过90分贝（A），每个在周围的人包括司机都必须带上口罩及护耳器。
- 我们的附属装置应该来自司机的操作，直到挖掘机和装置放好位置才能操作。
- 如果进入危险地带请立刻停止使用附属装置因为操作附属装置遇到飞石的风险远大于挖掘机。当使用北奕附属装置驾驶时驾驶员要遵守制造商的安全守则。
- 只是用组装完全的附属装载确认所有的调节都是好的。
- 喝酒或服用药物的条件下都不能操作设备。
- 当从搬运设备上查下来做保养和维修时，确保将其放平稳，尽可能放低位置。

- Close the front screen or splinter protection on the drivers cab to prevent possible injury from flying rock splinters during operation.
- If noise levels exceed 90dB(A), every person in the surrounding area, including the excavator driver must wear ear protector, and breathing protection.
- The hydraulic BYM attachments should be operated from the driver's seat and should not be put into operation until both the excavator and attachments are in the right position.
- Stop the hydraulic BYM attachments immediately if one goes into the dangerous areas, which is much larger for attachments operation than for excavator operation due to risk of flying rock.
- When working with a hydraulic BYM attachments, operation of the excavators is governed by the excavator manufacturer's safety regulations.
- Make sure all the adjustments are properly made, and use only the completely assembled.

安装步骤 / installation steps

1. 将挖掘机的活塞杆缩回，以免生锈或损伤。
1. Retract the piston rod of the excavator to avoid rust or damage.
2. 拆下挖斗的销轴并将属具用来替代挖斗。
2. Remove the pin shaft of the bucket and use the attachment to replace the bucket.
3. 关闭挖掘机臂上的截止阀并且拆下阀上的软管，防止沙子或污垢不能进入液压装置系统并确保它的干净。
3. Close the shut-off valve on the excavator arm and remove the hose on the valve to prevent sand or dirt from entering the hydraulic system and make sure it is clean.
4. 将属具的穿销孔与挖掘机的穿销孔对应，使其吻合，进而插入穿销，固定好，不使其随意摆动。
4. Correspond the pin hole of the attachment with the pin hole of the excavator to make them match, and then insert the pin and fix it so that it is not allowed to swing freely.



遥控器

Remote control

通油后 After oiling

- 按开通磁吸住物体
Press the open magnet to attract the object
- 按关消磁关闭吸力
Press OFF to degauss off suction

5. 将属具上面的独立油管与挖掘机的油管相连接（装过破碎锤的挖掘机都可以直接安装）。
5. Connect the independent oil pipe on the attachment with the oil pipe of the excavator (the excavator with the breaker installed can be directly installed).
6. 安装完毕即可进入拆迁工地进行废钢回收。
6. After installation, you can enter the demolition site for scrap steel recycling.



安装完毕
Finished installation

安装说明 /Installation Notes油管
Tubing扳手
Wrench电路板
Circuit board遥控器
Remote control**电控系统** Electronic control system**电控箱应做好防水，禁止剧烈晃动**

The electric control box should be waterproof, and it is forbidden to shake violently

磁吸盘 Magnetic chuck

吸盘不得严重磕碰，以免破坏精度，在闲置时，应擦净，涂防锈油。无密封件。

The suction cups should not be seriously bumped, so as not to damage the accuracy. When idle, they should be wiped clean, coated with anti-rust oil, and without seals.

故障排除 Troubleshooting**无吸力** no suction

原因reason

遥控器电池 remote control battery
电路板 circuit board
油路油压正常 oil pressure is normal

检测及保养 Detection And Maintenance**油管链接** Tubing connection

- 1.将属具两端的软管分别与挖机头两端的管路口进行链接，拧紧螺帽。
- 2.液压软管不允许急弯，不允许磨损，出现破损漏油应立即更换。
- 3.在每次工作前应检查各个部件是否有漏油断裂等现象。
- 4.拆卸装备的程序和安装的方法是相反的。

1. Connect the hoses at both ends of the attachment to the pipe ports at both ends of the excavator head, and tighten the nuts.
2. Hydraulic hoses are not allowed to Sharp bends or wear, when broken or oil leakage, should be replaced immediately.
3. Before work, should check whether all parts are fracture or oil leakage.
4. The method is the opposite of disassembly procedures and installation.